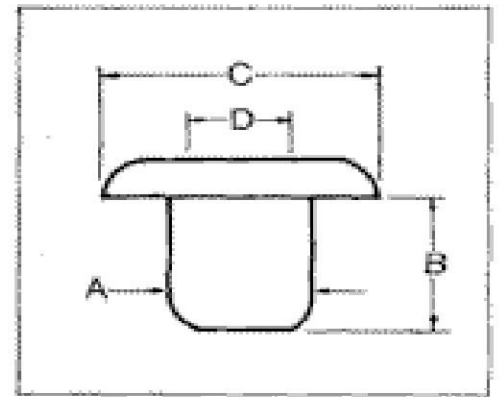


International Eyelets, Inc.

Rolled Flange Eyelets 1 of 2

ROLLED FLANGE 1		A	B	C	D
Nominal Board Thickness	IEI PART NUMBER	Barrel O.D. .002+/-	Length Under Flange .002+/-	Flange Dia. .002+/-	Barrel I.D. .002+/-
.031"	R-6062-B	.059	.062	.105	.045
	R-7888-B	.078	.088	.110	.062
.062"	R-6093-B	.059	.093	.105	.045
	R-9093-B	.089	.093	.150	.071
	R-1293-B	.121	.093	.200	.102
	R-1593-B	.152	.093	.245	.132
	R-1893-B	.183	.093	.290	.162
	R-2193-B	.215	.093	.340	.193
	R-2593-B	.246	.093	.385	.224
	R-1211-B	.121	.110	.200	.103
	.093"	R-4712-B	.047	.125	.080
R-6012-B		.059	.125	.105	.045
R-9012-B		.089	.125	.150	.071
R-1212-B		.121	.125	.200	.102
R-1512-B		.152	.125	.245	.132
R-1812-B		.183	.125	.290	.162
R-2112-B		.215	.125	.360	.193
R-2512-B		.246	.125	.385	.224
.125"	R-6015-B	.059	.156	.105	.045
	R-9015-B	.089	.156	.150	.071
	R-1215-B	.121	.156	.200	.102
	R-1515-B	.152	.156	.246	.132
	R-1815-B	.183	.156	.290	.162
	R-2115-B	.215	.156	.340	.193
	R-2515-B	.246	.156	.385	.224



ROLLED FLANGE