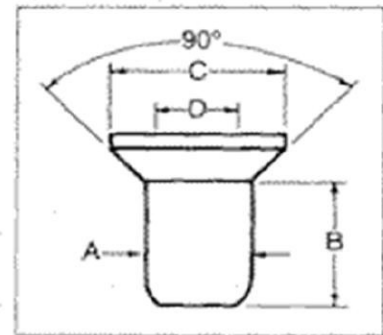


International Eyelets, Inc.

Funnel Flange Eyelets

Funnel Flange		A	B	C	D
Nominal Board Thickness	IEI PART NUMBER	Barrel O.D. .002+/-	Length Under Flange .002+/-	Flange Dia. .002+/-	Barrel I.D. .002+/-
.031"	Y-4762-B	.047	.062	.080	.035
	Y-4762-C	.047	.062	.080	.035
	Y-6062-C	.059	.062	.096	.045
.062"	Y-4785-B	.047	.085	.080	.035
	Y-4785-C	.047	.085	.080	.035
	Y-6085-B	.060	.085	.096	.045
	Y-6085-C	.060	.085	.096	.045
	Y-6088-B	.059	.088	.095	.046
	Y-4793-B	.047	.093	.080	.035
	Y-4793-C	.047	.093	.080	.035
	Y-6093-B	.059	.093	.095	.046
	Y-6093-C	.059	.093	.095	.046
	Y-7895-C	.078	.095	.110	.064
	Y-9093-B	.089	.093	.125	.069
	Y-4710-C	.041	.102	.071	.027
	Y-6710-C	.067	.106	.110	.053
	.093"	Y-4712-B	.047	.125	.080
Y-4712-C		.047	.125	.080	.035
Y-6012-B		.059	.125	.096	.045
Y-9012-B		.090	.125	.125	.071
.125"	Y-6015-C	.059	.156	.095	.043
	Y-9015-B	.089	.156	.125	.073
	Y-9015-C	.089	.156	.125	.073



FUNNEL FLANGE